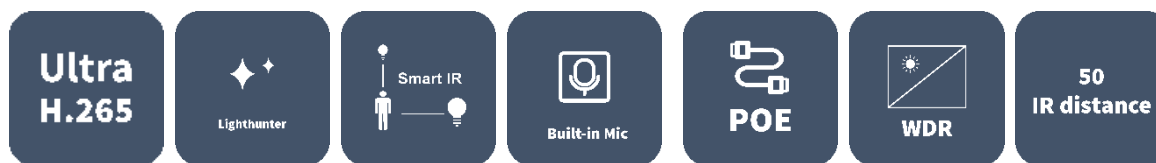


# 4MP Dual-spectrum Thermal Bullet Network Camera

TIC2221TER5-F3-4F4AC-VD



## Key Features



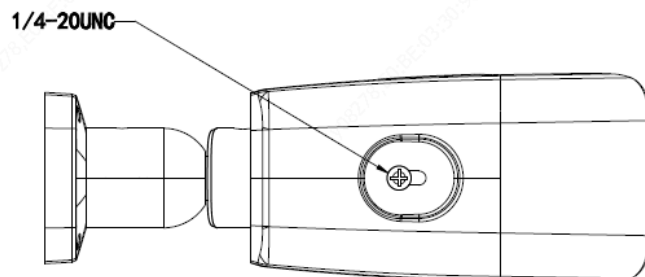
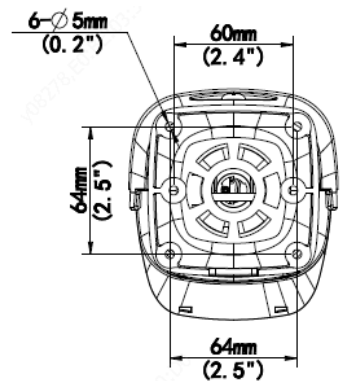
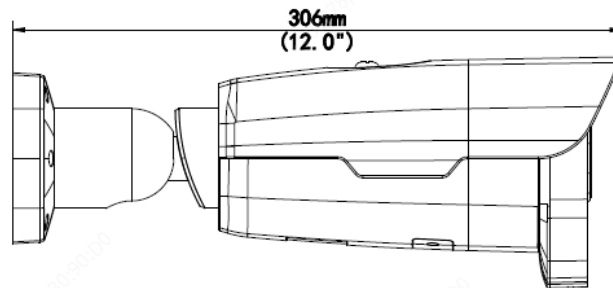
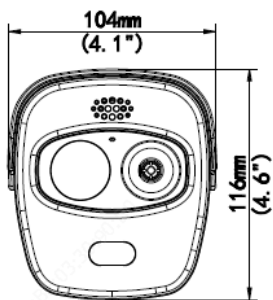
- Thermal & Optical dual-spectrum image, dual video with single IP address, adaptable to more various scenes
- Starlight illumination
- Support human body temperature screening which should be used with black-body
- Support alarm when no mask or abnormal temperature are detected
- Support audio and light alarm
- Ultra 265, H.265, H.264, MJPEG
- Triple streams
- Max 2688\*1520@30fps in the optical module
- Max 720P@25fps in the thermal module
- DC12V or PoE power supply, wide voltage range of  $\pm 25\%$  in DC
- Micro SD, up to 256 GB
- Alarm 2 in and 2 out, Audio 1 in and 1 out

## Specifications

	TIC2221TER5-F3-4F4AC-VD
<b>Optical Module</b>	
Sensor	1/1.8", 4.0 megapixel, progressive scan, CMOS
Lens	4mm@F1.6,
Iris	Fixed aperture
Field of View (H)	89.8°
Field of View (V)	49.1°
Frame Rate	4 MP(2688*1520), max 30fps
Shutter	Auto/Manual, 1 ~ 1/100000s
Min. Illumination	Colour: 0.001 lux (F1.6, AGC ON) 0 lux with IR
WDR	120 dB
Day/Night	IR-cut filter with auto switch (ICR)
IR Range	Up to 50 m (164 ft) IR range
Wavelength	850 nm
IR On/Off Control	Auto/Manual
BLC	Support
<b>Thermal Module</b>	
Sensor type	Vanadium Oxide Uncooled Focal Plane Arrays
Original resolution	256*192
Field of View (H)	51.8°
Field of View (V)	40.5°
Video resolution	720P(1280*720), max 25fps
Response waveband	8~14 μm
Pixel size	12 μm
IFOV	3.75 mrad
NETD	<50 mk @F1.0 @25°C
Lens(focal length)	3.2 mm@F1.1
Palette	Up to 20 palettes of optional colors, including: white hot, lava, iron oxide red, hot iron, medical, arctic, rainbow 1, rainbow 2, rainbow 3, depict hot, ice hot, black hot, mazarine, fusion, red hot, green hot, color 1, color 2, rain, puce
<b>Temperature screening accuracy</b>	
Temperature range	30°C~45°C
Temperature accuracy	±0.3°C (with black-body) ±0.5°C (without black-body)
Temperature screening working environment	16°C~32°C
<b>Smart</b>	
Human body temperature screening	Support human body temperature screening when OSD displays the temperature on the body surface or inside Support human body temperature screening alarm, and set alarm threshold temperature
Audio and light alarm	Support audio and light warning function, with red and blue warning lights built in
Alarm	Support alarm when no mask and abnormal temperature are detected
General Function	Watermark, IP Address Filtering, Alarm input, Alarm output, Access Policy, ARP Protection, RTSP Authentication, User Authentication
<b>Video</b>	
Compression	Ultra265, H.265, H.264, MJPEG
Video Stream	Triple streams
OSD	Up to 8 OSDs

Privacy Mask	Up to 8 areas(8 blacks)
<b>Audio</b>	
Audio Compression	G.711U,G.711A
Two-way audio	Support, Built in mic and speakers
Sampling Rate	8 kHz
<b>Storage</b>	
Edge Storage	Micro SD, up to 256 GB
Network Storage	ANR
<b>Network</b>	
Protocols	IPv4, IGMP, ICMP, ARP, TCP, UDP, DHCP, PPPoE, RTP, RTSP, RTCP, DNS, DDNS, NTP, FTP, UPnP, HTTP, HTTPS, SMTP, 802.1x, SNMP, QoS,
Compatible Integration	ONVIF (Profile S, Profile G, Profile T)
Web Browser	Plug-in required live view: IE 10 and above, Chrome 45 and above, Firefox 52 and above, Edge 79 and above
<b>Interface</b>	
Audio I/O	1/1
Alarm I/O	2/2
Serial Port	1 RS485
Network	1 x RJ45 10M/100M Base-TX Ethernet
<b>General</b>	
Power	DC12V(±25%), PoE(IEEE802.3af)
	Power consumption: Max 12W
	Support reverse polarity protection, Overvoltage and overcurrent protection , Input short circuit protection
Dimensions (Ø x H)	Φ306.0mm*116.0mm*104.0mm(Φ12.0"x4.6"x4.1")
Net Weight	1.51 kg(3.33lb)
Installation method	Tripod

## Dimensions



## Accessories

9901C0JN

Tripod

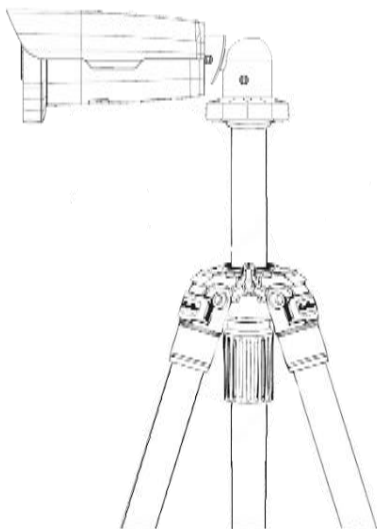


9901C0H3

Black Body



## Tripod installation

**Zhejiang Uniview Technologies Co., Ltd.**

Building No.10, Wanlun Science Park, Jiangling Road 88, Binjiang District, Hangzhou, Zhejiang, China (310051)

Email: [overseasbusiness@uniview.com](mailto:overseasbusiness@uniview.com); [globalsupport@uniview.com](mailto:globalsupport@uniview.com)<http://www.uniview.com>

©2021-2022 Zhejiang Uniview Technologies Co., Ltd. All rights reserved.

\*Product specifications and availability are subject to change without notice.